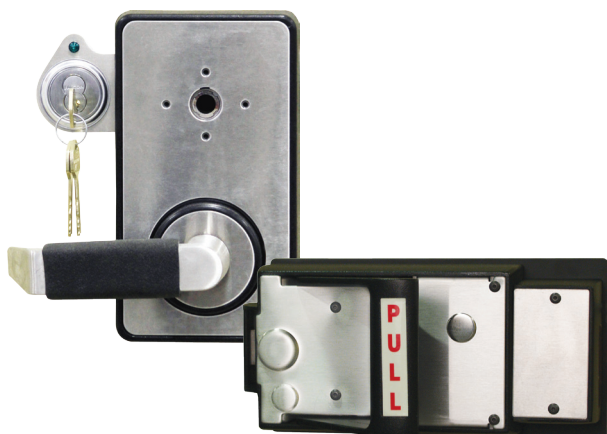


LKM7003 RIM DEVICE COMPATIBLE with COMBINATION LOCK & ACCESS CONTROL with KEY OVERRIDE

The LKM7003 was designed to provide tiered levels of security, while always providing single motion egress. This device is compatible with any high security combination lock meeting FF-L-2740A, as well as a variety of access control devices. The LKM7000 Lock Series' life safety and security features meets FF-L-2890. The combination lock represents the first level of security. The access control device represents the second level of security. The Key Override Module negates just the access control device in the event of a power failure or malfunction.



Key Override Module

The LKM7003 is equipped with a Key Override Module, which allows entry without using an existing, integrated access control device. However, it does not override the combination lock. This feature is particularly important in the event of a power outage, failure or malfunction of an access control device and other emergency situations when entry is a top priority.

Rim Cylinder

Not provided. Will work with an standard 1 1/8" diameter rim cylinder, for easy master key integration. Interchangeable core recommended.

One Year Limited Warranty

National Industrial Security Program Operating Manual (NISPOM)

Meets the requirement specified in NISPOM for Safeguarding Classified Information - Closed Areas and SCIFs.

UL Fire Rating

United States and Canada
*90 minute fire rating alone or with Kaba Mas X09. Not rated when used with a S&G 2740 lock.

Standard Positive Pressure Fire Tests of Door Assemblies ANSI/UL 10C, UBC 7-2 (1997).

ADA/UFSA

Compliant Lever Handle

Specifications

Materials

Lock Housing - Aluminum Alloy
Lock Bolt - Includes hardened pins
Moving Parts - Stainless Steel or Brass, Black Powder Coat & Satin Chrome (US26D)

Stainless Steel Deadbolt

Deadlocking, 7/16" throw
Encapsulated
Internal Pins for additional Force Protection

Weight

Front Plate - 3.6 lbs.
Inside Base Plate (IBP) - 4.34 lbs.
IBP Mounting Plate - 1.7 lbs.
Key Override Module - 15.4 oz

Door Thickness

Minimum 1 1/8" - Maximum 2 5/8"
Spindle extension available for 3" doors

Door Types

Single or Double hung
Inswing or Outswing
Hollow Metal or Wood
Metal or Wood Frames

Handing

Non-handed

Bolt Monitoring Switch

Combination Lockbolt
Request to Exit (REX) - Use Optional

Access Control Solenoid

Accepts 12 or 24 volts DC - requires .5 amps

Strike Test

A 600 lb force was applied to each type of strike in the direction of the door swing.

Case & Bolt Strength Test

600 lbs in two directions

Vibration & Moisture Absorption Test

MIL-STD-810E

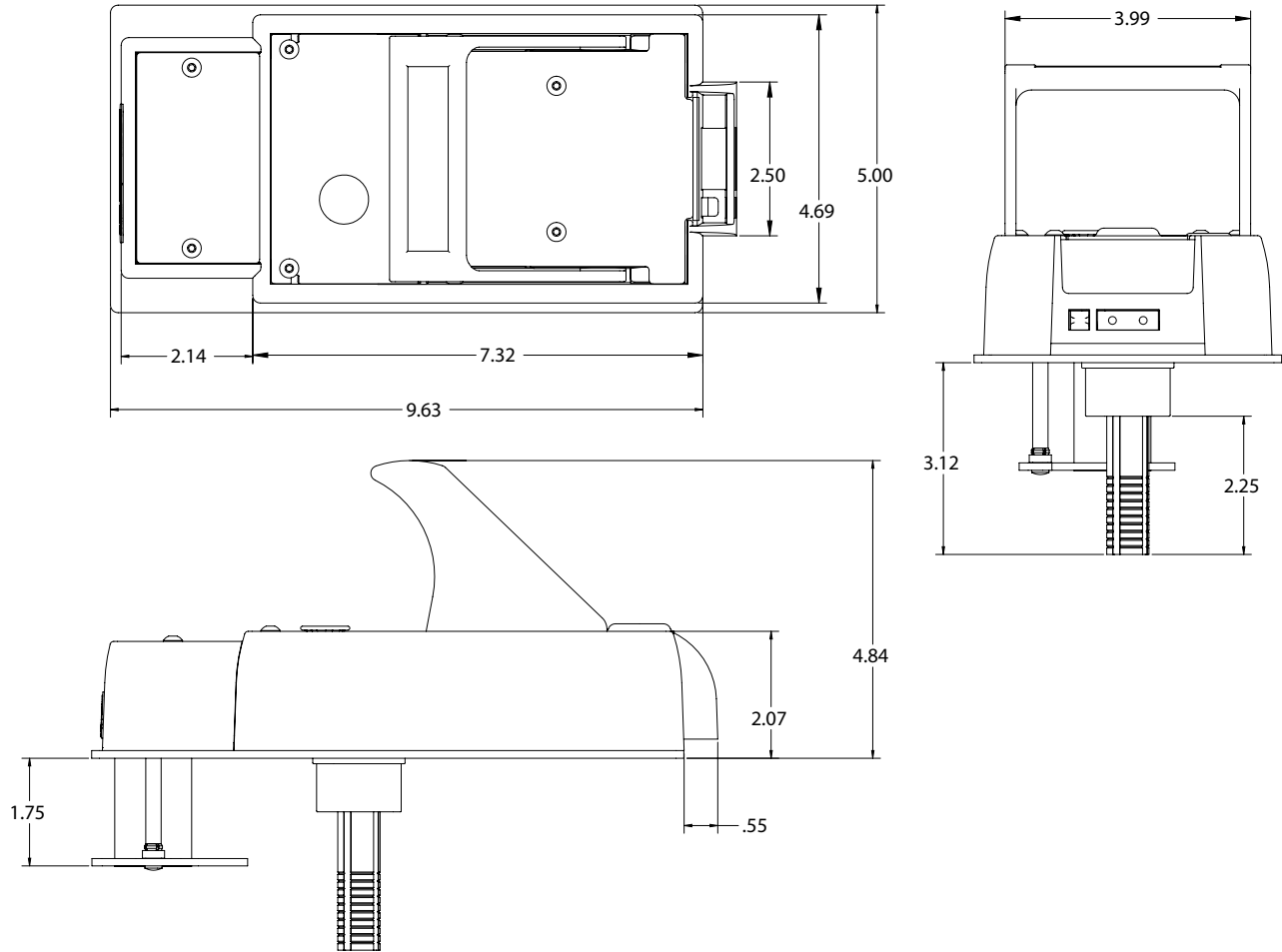
Temperature Test

Low - 10.00 F High - 1500 F

Electrostatic Discharge Test

Subject to 5 discharges at 250kv

Inside Base Plate



Front Plate

