

# LKM7002 RIM DEVICE EXIT ONLY

The LKM7002 was designed with no exterior trim to control the flow of traffic into rooms with multiple entrances, while always providing single motion egress.



### National Industrial Security Program Operating Manual (NISPOM)

Meets the requirement specified in NISPOM for Safeguarding Classified Information - Closed Areas and SCIFs.

### UL Fire Rating

United States and Canada  
90 minute fire rating

Standard Positive Pressure  
Fire Tests of Door Assemblies  
ANSI/UL 10C, UBC 7-2 (1997).

### ADA/UFSA

Compliant Lever Handle

## Specifications

### Materials

Lock Housing - Aluminum Alloy  
Lock Bolt - Includes hardened pins  
Moving Parts - Stainless Steel or  
Brass, Black Powder Coat & Satin  
Chrome (US26D)

### Stainless Steel Deadbolt

Deadlocking, 7/16" throw  
Encapsulated  
Internal Pins for additional Force  
Protection

### Weight

Front Plate - 2 lbs.  
Inside Base Plate (IBP) - 4.34 lbs  
Internal IBP Mounting Plate - 1.2 lbs

### Handing

Non-handed

### Door Thickness

Minimum 1 1/8" - Maximum 2 5/8"

### Door Types

Single or Double hung  
Inswing or Outswing  
Hollow Metal or Wood  
Metal or Wood Frames

### Bolt Monitoring Switch

Request to Exit (REX) - Use Optional

### Strike Test

A 600 lb force was applied to each  
type of strike in the direction of the  
door swing.

### Case & Bolt Strength Test

600 lbs in two directions

### Vibration & Moisture Absorption Test

MIL-STD-810E

### Temperature Test

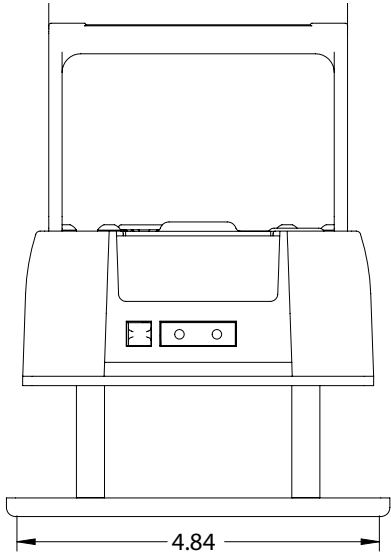
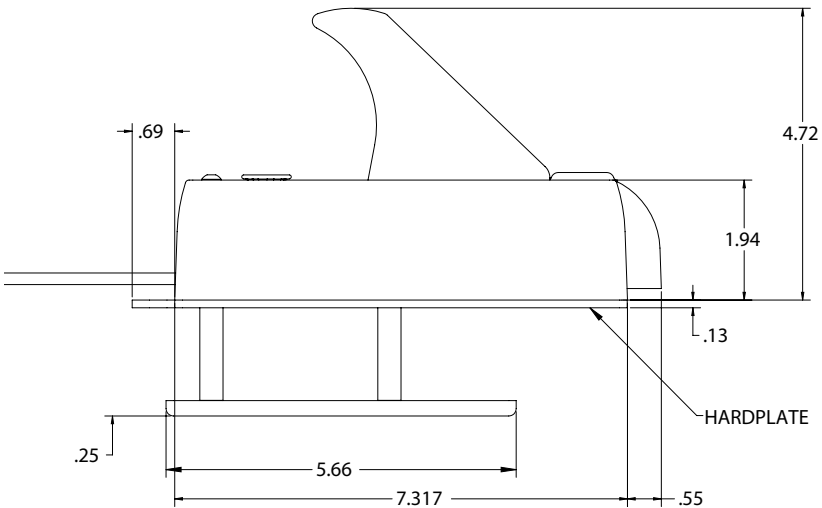
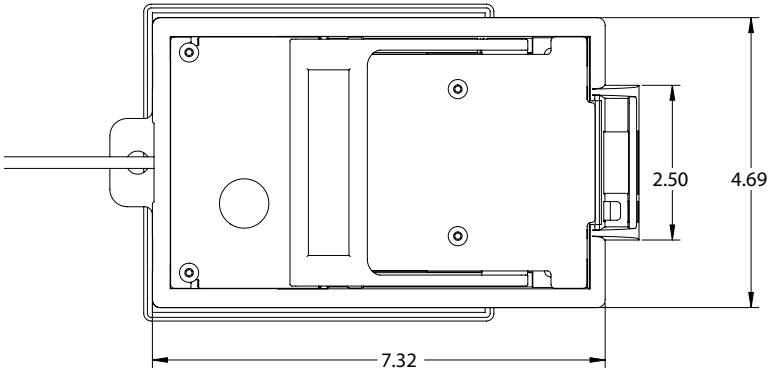
Low - 10.00 F High - 1500 F

### Electrostatic Discharge Test

Subject to 5 discharges at 250kv

One Year Limited Warranty

### Inside Base Plate



### Front Plate

