

# LKM7000 RIM DEVICE COMPATIBLE with COMBINATION LOCK & ACCESS CONTROL

The LKM7000 was designed to provide tiered levels of security, while always providing single motion egress. This device is compatible with any high security combination lock meeting FF-L-2740A, as well as a variety of access control devices. The LKM7000 Lock Series' life safety and security features meets FF-L-2890. The combination lock represents the first level of security. The access control device represents the second level of security.



### Department of Defense Specifications

#### Meets FF-L-2890

For Pedestrian Door Deadbolt

#### Type II

Keyless Life Safety Feature

#### Type III

ADA/UFAS Compliant

#### Type IV

ADA/UFAS Compliant with Access Control Interface

### National Industrial Security Program Operating Manual (NISPOM)

Meets the requirement specified in NISPOM for Safeguarding Classified Information - Closed Areas and SCIFs.

### UL Fire Rating

United States and Canada  
\*90 minute fire rating alone or with Kaba Mas X09. Not rated when used with a S&G 2740 lock.

Standard Positive Pressure Fire Tests of Door Assemblies ANSI/UL 10C, UBC 7-2 (1997).

#### ADA/UFSA

Compliant Lever Handle

### Specifications

#### Materials

Lock Housing - Aluminum Alloy  
Lock Bolt - Includes hardened pins  
Moving Parts - Stainless Steel or Brass, Black Powder Coat & Satin Chrome (US26D)

#### Stainless Steel Deadbolt

Deadlocking, 7/16" throw  
Encapsulated  
Internal Pins for additional Force Protection

#### Weight

Front Plate - 3.6 lbs.  
Inside Base Plate - 4.34 lbs.

#### Door Thickness

Minimum 1 1/8" - Maximum 2 5/8"  
Spindle extension available for 3" doors

#### Door Types

Single or Double hung  
Inswing or Outswing  
Hollow Metal or Wood  
Metal or Wood Frames

#### Handing

Non-handed

#### Bolt Monitoring Switches

#### Combination Lockbolt

Request to Exit (REX) - Use Optional

#### Access Control Solenoid

Accepts 12 or 24 volts DC - requires .5 amps

#### Strike Test

A 600 lb force was applied to each type of strike in the direction of the door swing.

#### Case & Bolt Strength Test

600 lbs in two directions

#### Vibration & Moisture Absorption Test

MIL-STD-810E

#### Temperature Test

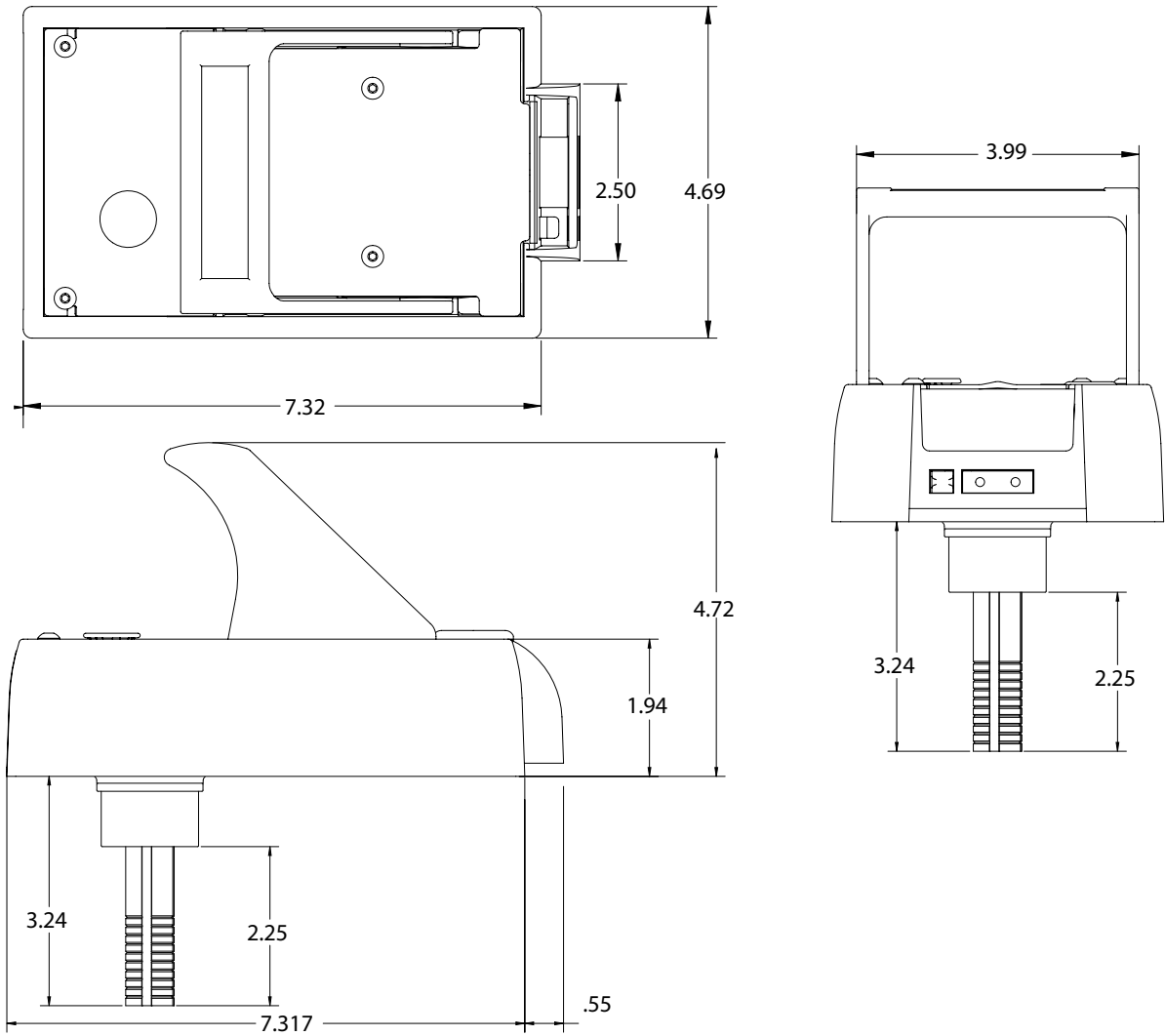
Low - 10.00 F High - 1500 F

#### Electrostatic Discharge Test

Subject to 5 discharges at 250kv

One Year Limited Warranty

### Inside Base Plate



### Front Plate

